



ANATECH ELECTRONICS INC
RF & Microwave Filters & Products

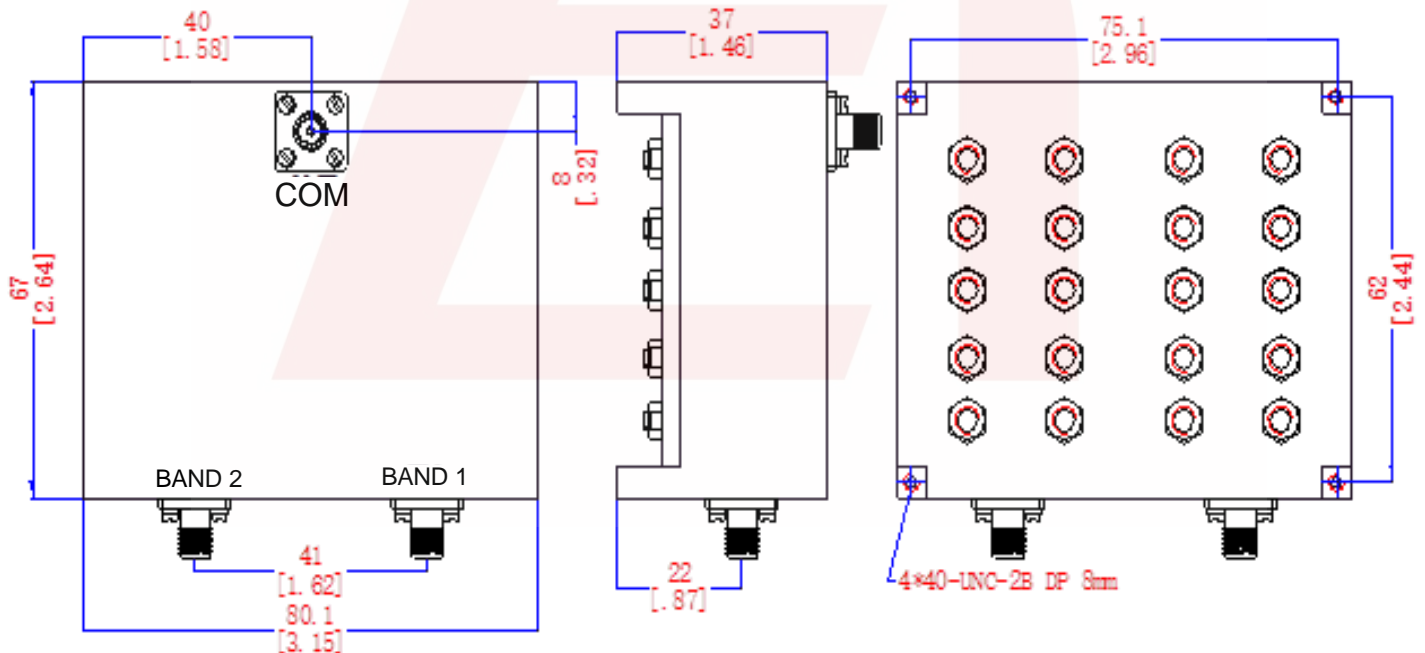
1750-1850 MHz / 2200-2500 MHz Cavity Duplexer

Part Number: AE1800-2350DB5477



Characteristics	Band 1	Band 2	Mechanical	
Passband:	1750-1850 MHz	2200-2500 MHz	Mounting Method:	Threaded Holes
1dB Bandwidth:	100 MHz	300 MHz	Connector Type:	SMA (F)
Passband Return Loss:	15 dB Min.	15 dB Min.	Dimensions:	3.15 x 2.64 x 1.46 in.
Passband Insertion Loss:	1.0 dB Max.	1.0 dB Max.	Environmental	
Ripple in Passband:	0.1dB Max.	0.1dB Max.	Operating Temperature:	-40 to +70 deg.C
Rejection:	≥50dB@1575MHz	≥50dB@2800MHz	Storage Temperature:	-55 to +85 deg.C
Isolation:	≥70 dB	≥70 dB	Shock:	20 G. 11ms
Power Handling:	30 Watts	30 Watts	Vibration:	20 G. 5 to 200Hz
Input / Output Impedance:	50 Ohms	50 Ohms		

Outline Drawing:



Tolerance: +/-0.01 inches [+/- 0.3mm]

Angles: +/- 1 Deg.

*Tolerance as shown unless otherwise specified in the datasheet electrical specification tables above.

*When max dimensions are called out the above tolerances do not apply as long as it is under the max call out.



ANATECH ELECTRONICS INC
RF & Microwave Filters & Products

1750-1850 MHz / 2200-2500 MHz Cavity Duplexer

Part Number: AE1800-2350DB5477



Response Plot:

