



Electrical Specifications

Insertion Loss: 0.6 dB @ 250-700 MHz

VSWR: 1.25:1 @ 250-700 MHz

Stopbands: 60 dB @ 8 MHz

Phase Linearity: $\pm 3^\circ$ Max @ 250-700 MHz

± 0.25 Max @ 510-560 MHz

± 0.25 Max @ 610-660 MHz

Power Handling: 5 Watts

Mechanical

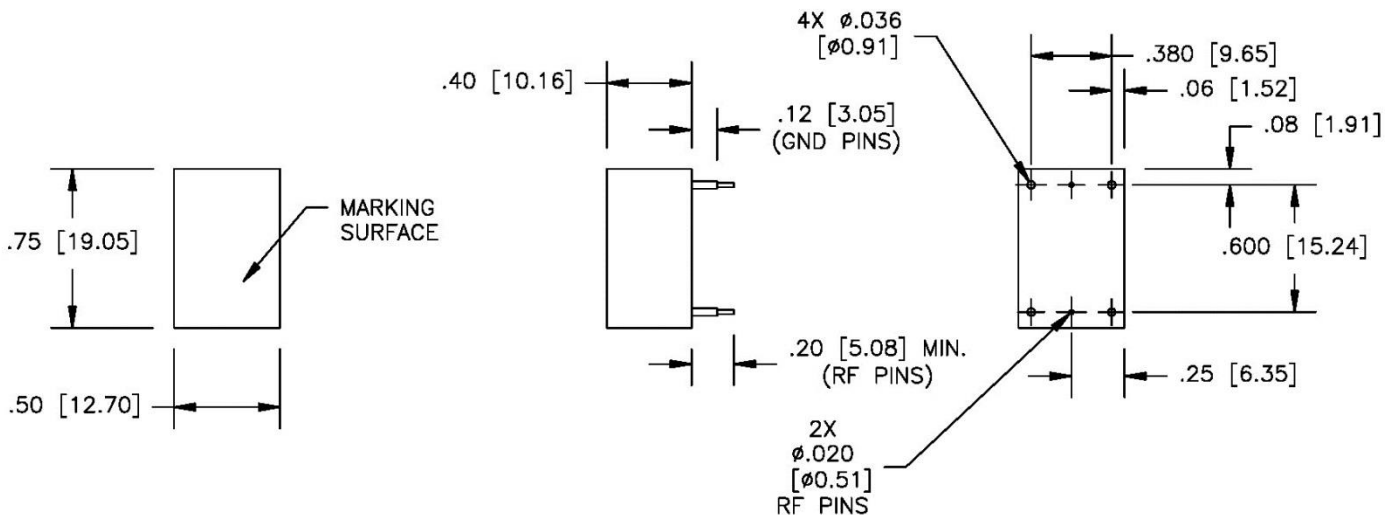
Connector Type: RF Pins

Dimensions: 0.75 x 0.50 x 0.40 Inches

Environmental

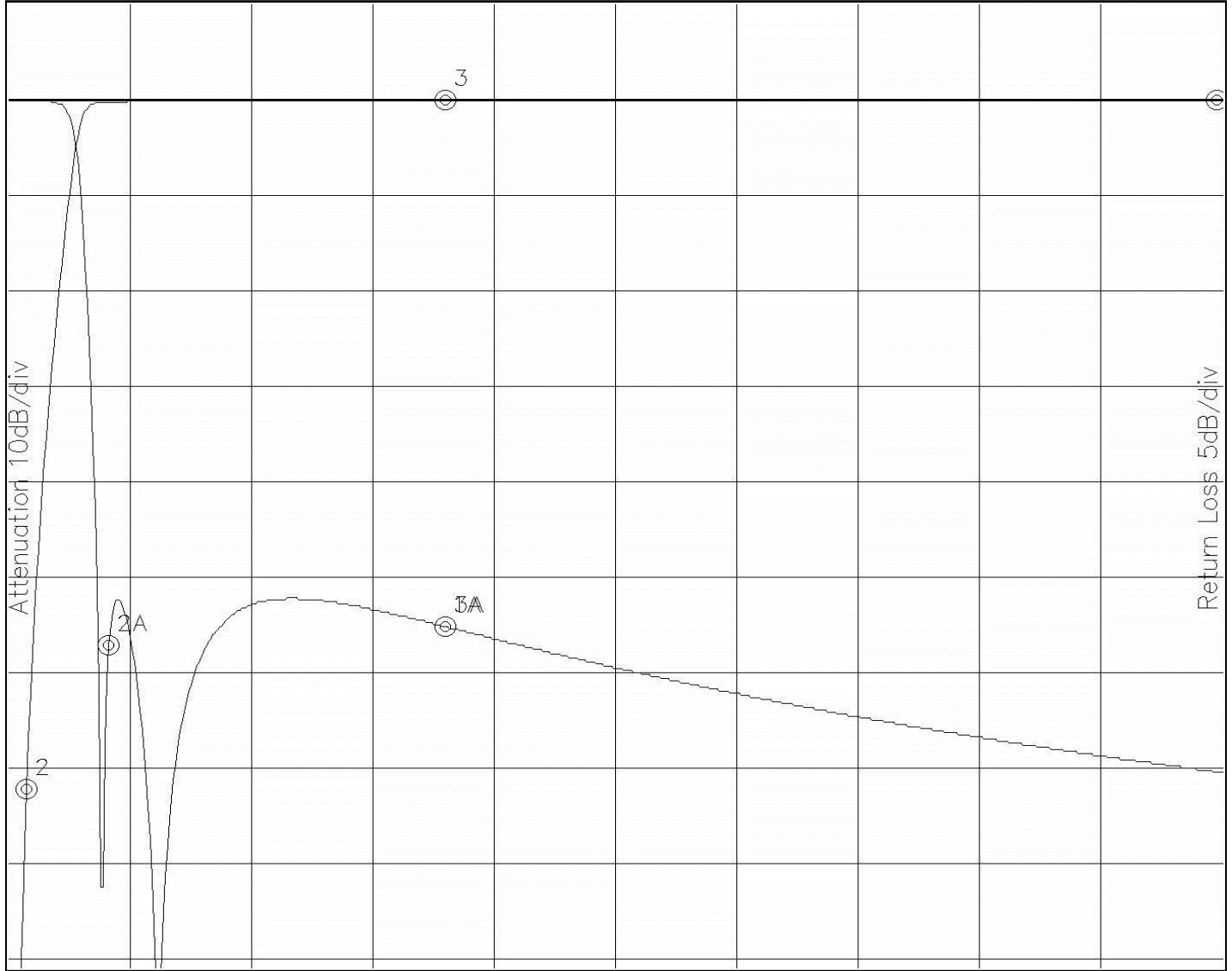
Operating Temperature: -25 to +85° C

Outline Drawing:





Response Plot:



Attenuation Start: 0.010MHz Stop: 700.0MHz

Return Loss Start: 0.010MHz Stop: 700.0MHz

Marker 1 Freq 696.60MHz Atten -0.002dB
 Marker 2 Freq 9.047MHz Atten -71.921dB
 Marker 3 Freq 251.05MHz Atten -0.014dB

Marker 1A Freq 251.05MHz Ret Loss -27.505dB
 Marker 2A Freq 56.543MHz Ret Loss -28.499dB
 Marker 3A Freq 251.05MHz Ret Loss -27.505dB

Note: This is a simulation plot. Actual results may differ once the product is implemented.