



5G NR Frequency Bands 12/5/2/4/30 Downlink Multiplexer



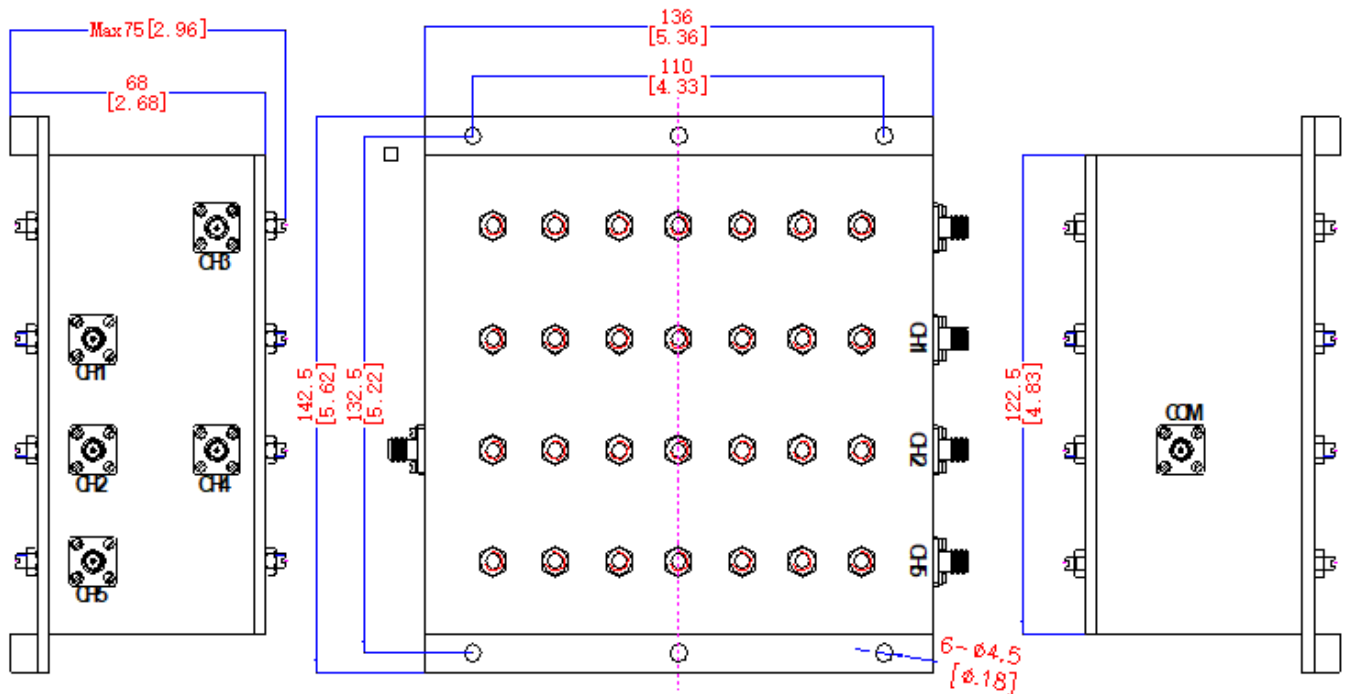
ANATECH ELECTRONICS INC
RF & Microwave Filters & Products

Part Number: AE737-882-1960-2132-2355MP1020

Electrical specifications

	COM—CH1	COM—CH2	COM—CH3	COM—CH4	COM—CH5
Frequency Range:	729~746MHz	869~894MHz	1930~1990MHz	2110~2155MHz	2350~2360MHz
Insertion Loss:	≤1.0dB	≤1.0dB	≤1.0dB	≤1.0dB	≤1.0dB
Return Loss:	≥15dB	≥15dB	≥15dB	≥15dB	≥15dB
Rejection:	≥80dB@CH2, CH3,CH4,CH5	≥80dB@CH1, CH3,CH4,CH5	≥80dB@CH1, CH2,CH4,CH5	≥80dB@CH1,CH2 , CH3,CH5	≥80dB@CH1,CH2, CH3,CH4
Power handling:	100W(COM)				
Dimensions:	5.36 X 5.62 X 2.96 in.				
Port Connectors:	SMA-Female (50Ω)				
Size Tolerance:	As Below(±0.3mm)				

Outline Drawing:



2 decimal places: +/-0.01 inches [+/-0.3mm]
3 decimal places: +/-0.005 inches [+/-0.13mm]
Angles: +/-1 Deg.

When max dimensions are called out the above tolerances do not apply as long as it is under the max call out.

70 Outwater Lane Phone: (973) 772-4242
Garfield, NJ 07026 Fax : (973) 321-3941

Email: sales@anatechelectronics.com
Web: www.anatechelectronics.com