



ANATECH ELECTRONICS INC
RF & Microwave Filters & Products

GPS Ceramic BPF

Part Number: AM1575B356



Electrical specifications

Center Frequency: 1575 MHz
Bandwidth: 20 MHz
Input / Output Impedance: 50 Ohms
Passband: 1565.4-1585.4 MHz
Passband Insertion Loss: 1565.4-1585.4 MHz 1.0 dB
Passband Ripple: 1.0 dB max
Passband Return Loss: 1565.4-1585.4 MHz 12.0 dB
Rejection: 1500.4 MHz 30.0 dB min
Rejection 2: 1650.4 MHz 30.0 dB min
Power Handling: 1 W

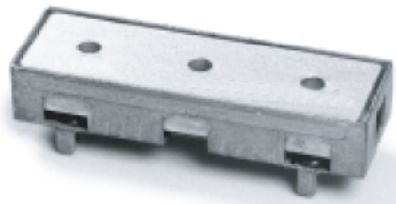
Mechanical

Mounting Method: SMT
Dimensions: 41.065 x 12.891 x 8.128 mm

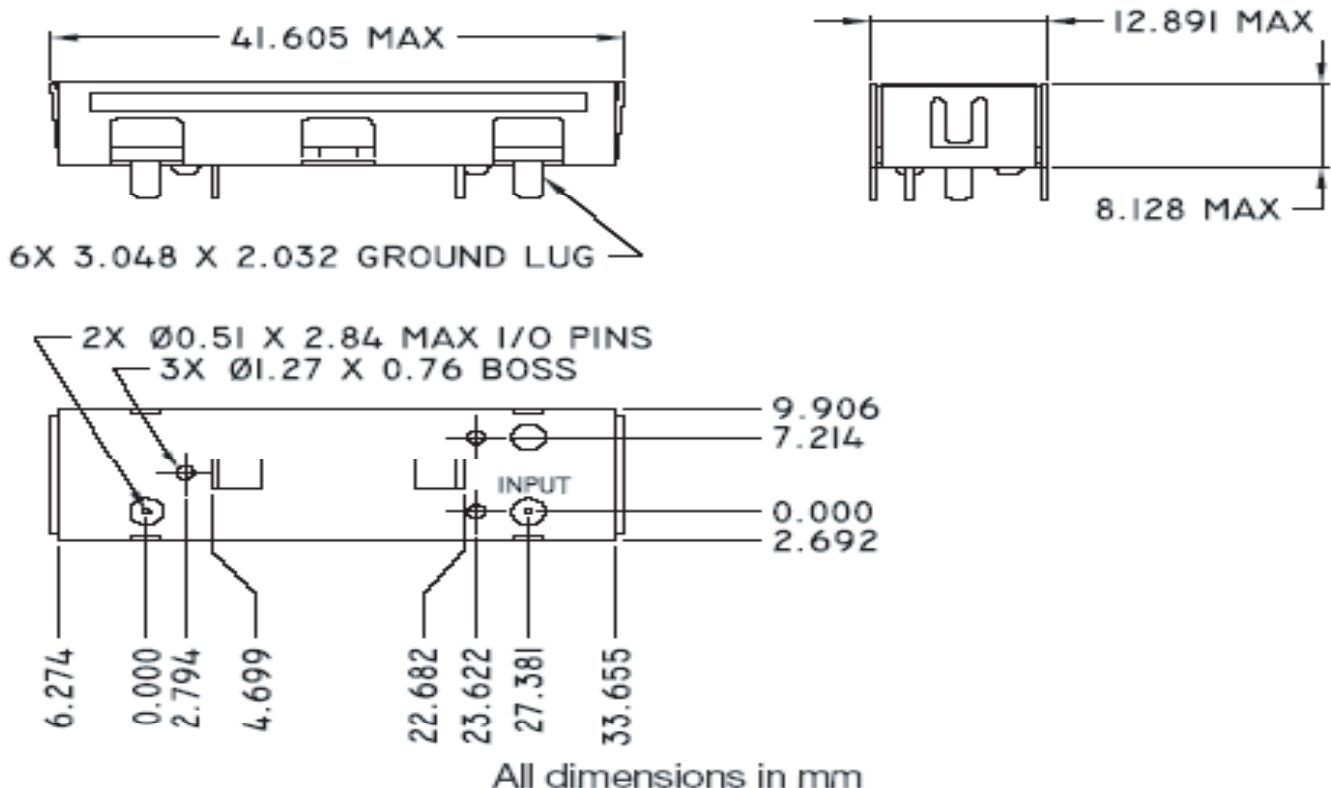
Environmental

Operating Temperature: -30°C to +70°C
Storage Temperature: -50°C to +90°C

This product is RoHs compliant.



Outline Drawing:





ANATECH ELECTRONICS INC
RF & Microwave Filters & Products

GPS Ceramic BPF

Part Number: AM1575B356



Response Plot:

