



Electrical specifications

- Center Frequency:** 3687 MHz
- Bandwidth:** 25 MHz
- Input / Output Impedance:** 50 Ohms
- Passband:** 3675 – 3700 MHz
- Passband Insertion Loss:** 2.5 dB
- Passband Ripple:** 3675 – 3700 MHz 0.5 dB
- Passband Return Loss:** 3675 – 3700 MHz -12.0 dB
- Rejection:** 0.1 – 2500 MHz -35.0 dB
- Rejection 2:** 3191 – 3216 MHz -40.0 dB
- Rejection 3:** 3433 – 3458 MHz -35.0 dB
- Rejection 4:** 3554 – 3579 MHz -30.0 dB
- Rejection 5:** 3580 – 3600 MHz -20.0 dB
- Rejection 6:** 3605 – 3630 MHz -13.0 dB
- Rejection 7:** 4000 – 4500 MHz -35.0 dB
- Power Handling:** 2 Watt max

Mechanical

- Mounting Method:** SMT
- Dimensions:** 8.40 x 5.60 x 2.80 mm

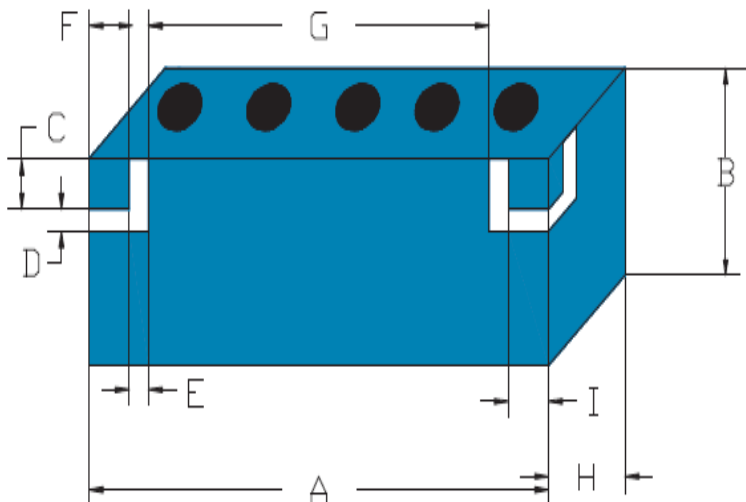
Environmental

- Operating Temperature:** -40°C to +85°C
- Storage Temperature:** -50°C to +90°C

This product is RoHs compliant.



Mechanical Drawing



Dim	Nominal (mm)	Tolerance (mm) +/- or max
A	8.40	Max
B	5.60	Max
C	1.50	0.13
D	0.80	0.13
E	0.90	0.13
F	1.37	0.13
G	3.86	0.13
H	2.80	Max
I	1.37	0.013



ANATECH ELECTRONICS INC
RF & Microwave Filters & Products

3.687 GHz Monoblock Ceramic BPF

Part Number: AM3687B1079



Response Plot:

