



917.5-928 MHz Ceramic Bandpass Filter

Part Number: AM922B1137

ANATECH ELECTRONICS INC
RF & Microwave Filters & Products



Electrical specifications

- Center Frequency:** 922 MHz
- Bandwidth:** 10.5 MHz
- Input / Output Impedance:** 50 Ohms
- Passband:** 917.5–928 MHz
- Passband Insertion Loss:**
- Passband Ripple:** 1.0 dB max
- Passband Return Loss:** @ Port 1: -14.0 dB spec.
@ Port 2: -14.0 dB spec.
- Rejection:** 912.5 MHz -20.0 dB spec.
- Power Handling:** 20 W



Mechanical

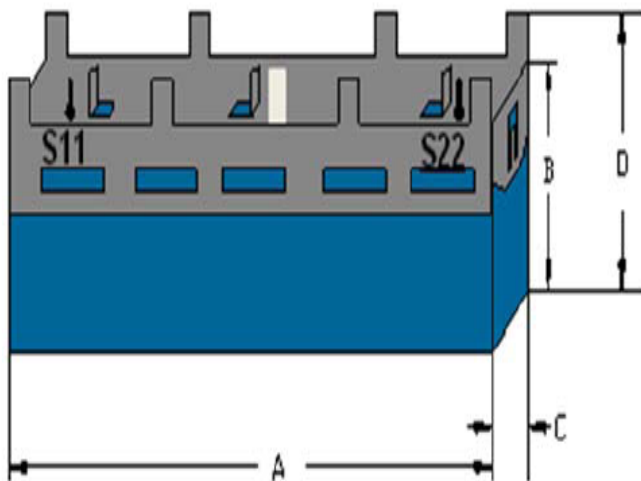
- Mounting Method:** SMT
- Dimensions:** 69 x 20 x 18 mm

Environmental

- Operating Temperature:** -40°C to +85°C
- Storage Temperature:** -50°C to +90°C

This product is RoHS compliant.

Mechanical Drawing:



Dim	Nominal (mm)	Tolerance (mm) +/- or max
A	69.0	max
B	18.0	max
C	18.0	max
D	20.0	max



ANATECH ELECTRONICS INC
RF & Microwave Filters & Products

917.5-928 MHz Ceramic Bandpass Filter

Part Number: AM922B1137



Response Plot:

